

FIG. 1

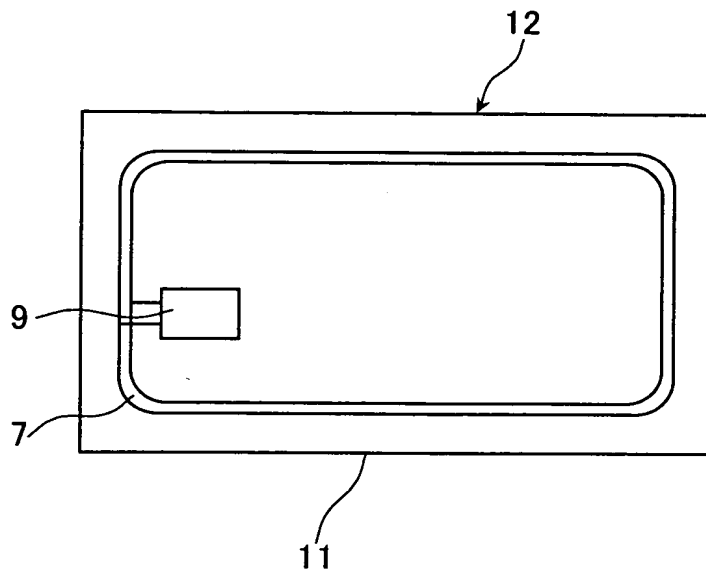


FIG. 2

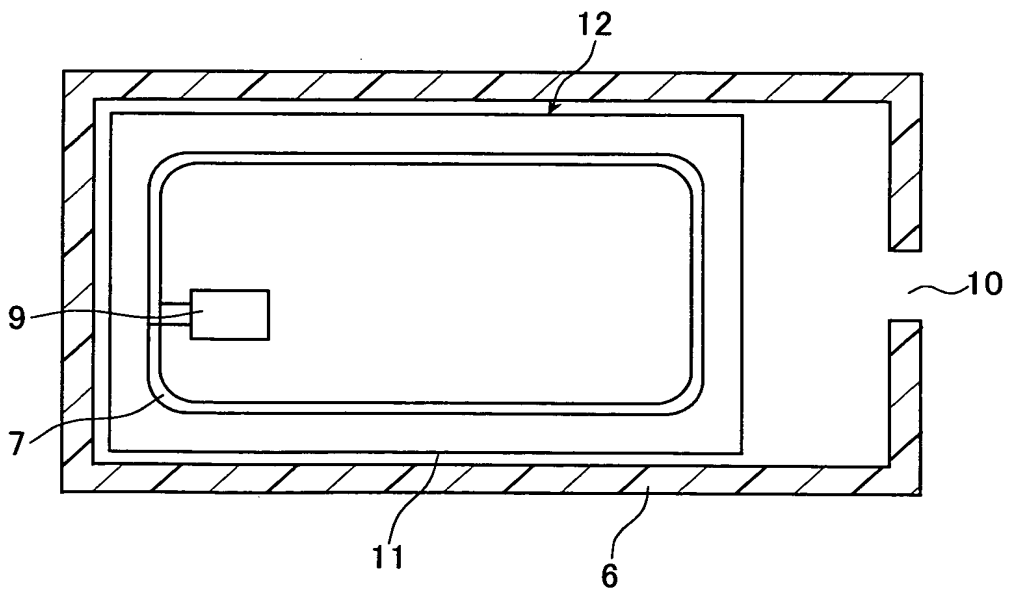


FIG. 3

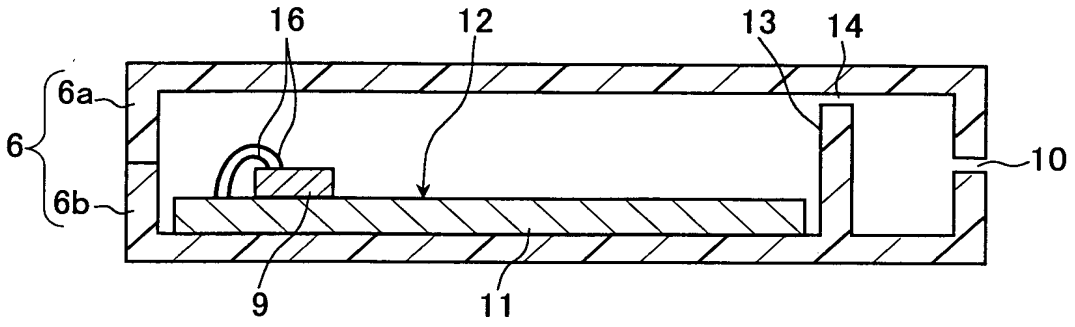


FIG. 4A

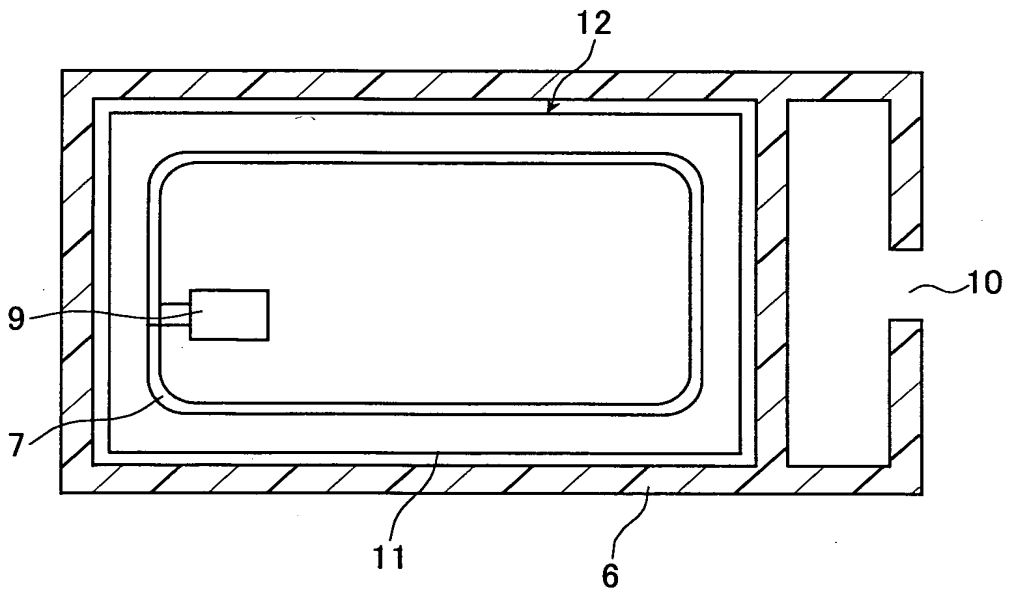


FIG. 4B

This figure is a schematic diagram of a device assembly. It shows a cross-sectional view of a housing 10 with a top flange 6a and a bottom flange 6b. A central component 12 is positioned between a base 11 and a top layer 13. A curved component 16 is on top of 12. A vertical component 14 is on the right. A bracket 6 groups the top and bottom flanges.

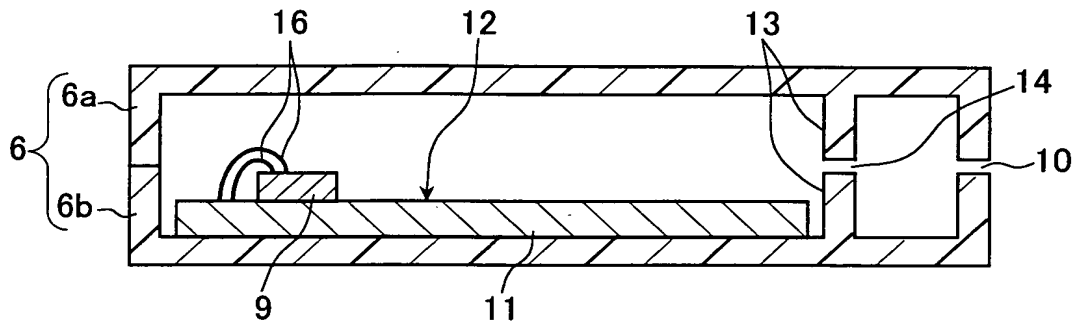


FIG. 5A

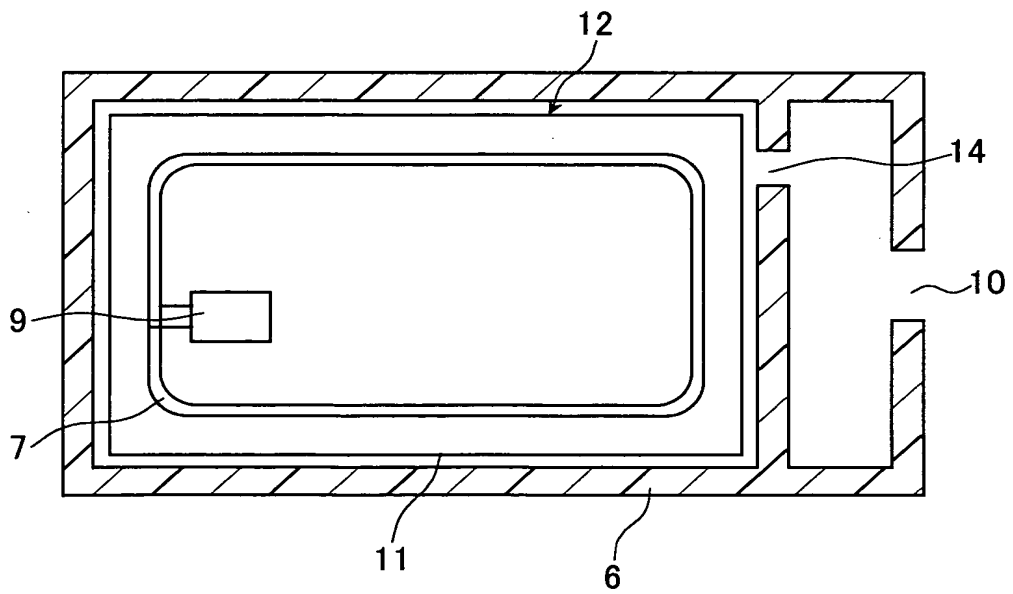


FIG. 5B

This figure is a schematic diagram of a device assembly. It shows a cross-sectional view of a rectangular housing with a hatched outer shell. Inside the housing, there is a central component labeled 12. To the left of component 12, there is a curved component labeled 16. Below component 12, there is a horizontal layer labeled 11. On the right side of the housing, there is a vertical structure labeled 10, which has a top flange labeled 14. A bracket labeled 6 encompasses the top and bottom inner walls of the housing. A label 9 points to a small rectangular component on the left side of the inner cavity.

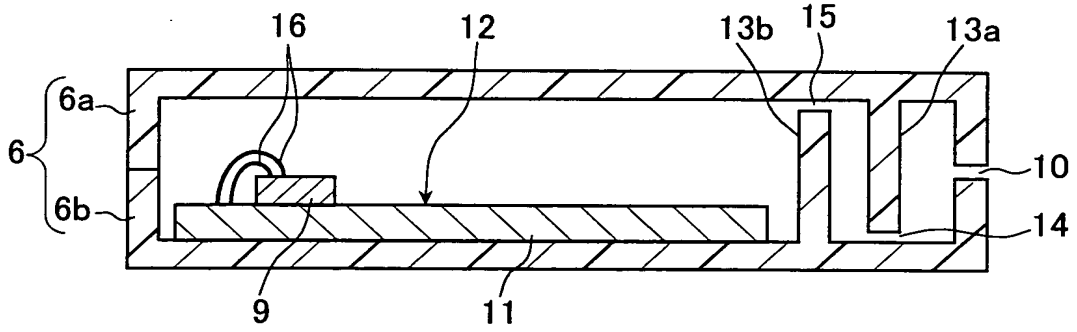


FIG. 6

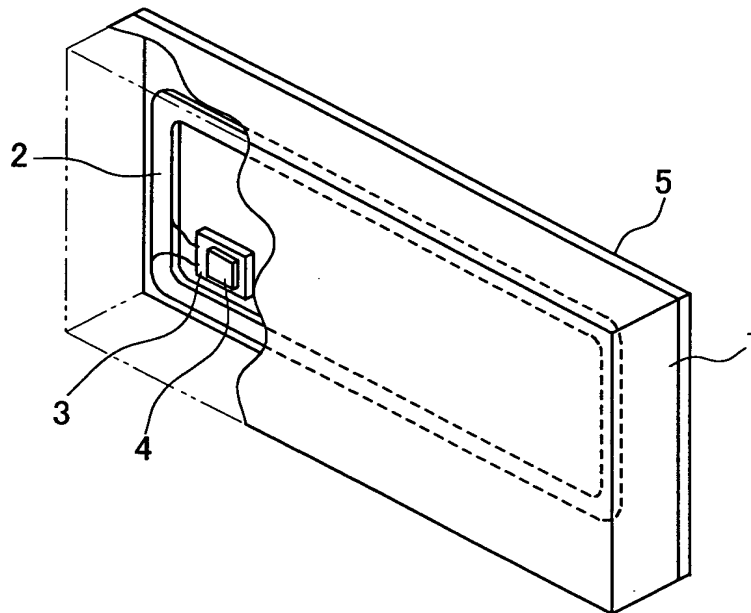


FIG. 7 PRIOR ART